



Model Name **SX920 Digital Projector**

Unique selling point

- * High brightness 5000AL
- * Big Zoom 1.6X
- * Easy installation and control
- * Vertical Lens Shift

Projection System	DLP	
Native Resolution	XGA (1024 x 768)	
Brightness	5,000AL	
Contrast Ratio	5,000:1	
Display Color	1.07 Billion Colors	
Lens	F=2.45~3.07, f=15.78 ~ 25.12	
Aspect Ratio	Native 4:3 (5 aspect ratio selectable)	
Throw Ratio	1.41~2.25	
Clear Image Size	60"~240"	
Zoom Ratio	1.6X	
Lamp Type	370W	
Lamp(Normal/Economic/SmartEco Mode)*	2000/2500 hours	
Keystone Adjustment	2D, Vertical & Horizontal ± 30 degrees	
Projection Offset	107.5% ±2.5%	
Lens Shift	Vertical: +7.5%	
Resolution Support	VGA(640 x 480) to UXGA(1600 x 1200)	
Horizontal Frequency	15K~102KHz	
Vertical Scan Rate	24~120Hz	
Compatibility	HDTV Compatibility	480i, 480p, 576i, 576p, 720p, 1080i, 1080p
	Video Compatibility	NTSC, PAL, SECAM

Interface	Computer in (D-sub 15pin)	x 1 (Share with component)
	Monitor out (D-sub 15pin)	x 1
	Composite Video in (RCA)	x 1
	S-Video in (Mini DIN 4pin)	x 1
	HDMI	x 2 (one with MHL)
	Audio in (Mini Jack)	x 1
	Audio L/R in (RCA)	x 1
	Audio out (Mini Jack)	x 1
	Speaker	10W x 2
	LAN (RJ45)	x 1 (LAN control)
	USB (Type A)	x 1 (5V/1.5A Power Supply)
	USB (Type MINI-B)	x 1 (Download)
	RS232 (DB-9pin)	x 1
	DC 12V Trigger	x 1
IR Receiver	x 2	

Dimensions	Dimensions(W x H x D)	411.4x118.4x267.5 mm
	Weight	4.9KG

Power	Power Supply	AC100 to 240 V, 50 to 60 Hz
	Power Consumption	Typical 490W, Network standby <6W, Standby power <0.5W
	Power Management Function	Automatic power off after 20 minutes without a display source.

Audible Noise	36/33 dBA (Normal/Economic mode)
----------------------	----------------------------------

On-Screen Display Languages	Arabic/Bulgarian/ Croatian/ Czech/ Danish/ Dutch/ English/ Finnish/ French/ German/ Greek/ Hindi/ Hungarian/ Italian/ Indonesian/ Japanese/ Korean/ Norwegian/ Polish/ Portuguese/ Romanian/ Russian/ Simplified Chinese/Spanish/ Swedish/ Turkish/ Thai/ Traditional Chinese (28 Languages)
------------------------------------	--

Picture Modes***	Bright/Presentation/sRGB/Cinema/(3D)/User 1/User 2
-------------------------	--

Accessories	Standard	Optional	
	Remote Control w/ Battery	Presentation Plus	P/N: 65.J9306.002
	Power Cord (by region)	Spare Lamp Kit	P/N: 5JJDP05.001
	User Manual CD	Ceiling Mount	P/N: 5JJAM10.001
	Quick Start Guide	3D Glasses	P/N: 5JJ9H25.001
	Warranty Card (by region)		
	VGA(D-sub 15pin) Cable		

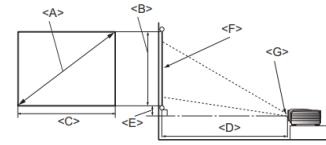
*Lamp life results will vary depending on environmental conditions and usage. Actual product's features and specifications are subject to change without notice.

SX920 Digital Projector

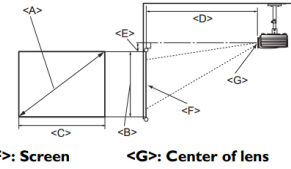
Distance Chart

Screen dimensions			Projection distance <D> [cm]			Lowest/ Highest lens position <E> [cm]
Diagonal <A> [inch (mm)]	Height [cm]	Width <C> [cm]	Min distance	Average	Max distance	
60 (1524)	91	122	172	224	275	13.7
70 (1778)	107	142	201	261	320	16.0
80 (2032)	122	163	230	298	366	18.3
90 (2286)	137	183	258	335	412	20.6
100 (2540)	152	203	287	372	458	22.9
110 (2794)	168	224	316	409	503	25.1
120 (3048)	183	244	344	447	549	27.4
130 (3302)	198	264	373	484	595	29.7
140 (3556)	213	285	402	521	641	32.0
150 (3810)	229	305	430	558	686	34.3
160 (4064)	244	325	459	595	732	36.6
170 (4318)	259	345	488	633	778	38.9
180 (4572)	274	366	516	670	823	41.1
190 (4826)	290	386	545	707	869	43.4
200 (5080)	305	406	573	744	915	45.7
240 (6096)	366	488	688	893	1098	54.9

Floor Installation

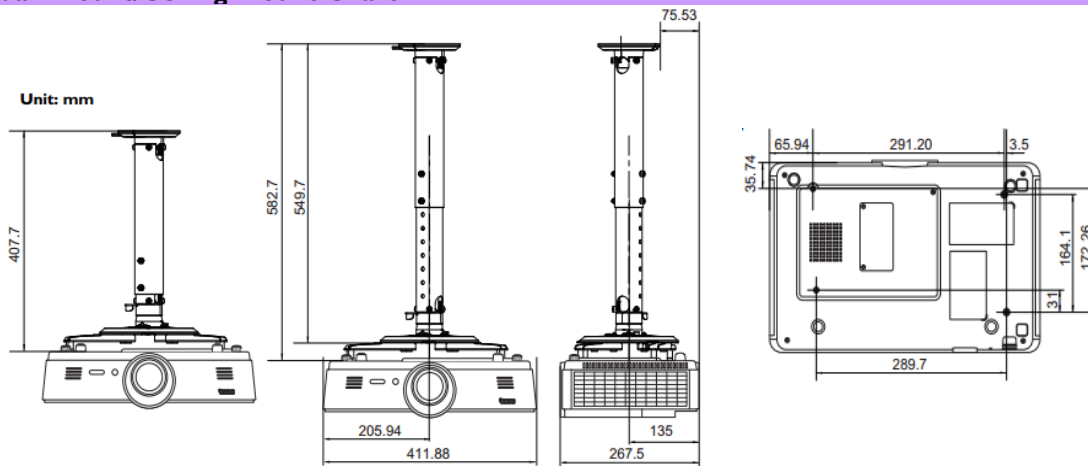


Ceiling Installation



<F>: Screen <G>: Center of lens

Wall mount/Ceiling mount Chart



Dimension



Unit: mm

